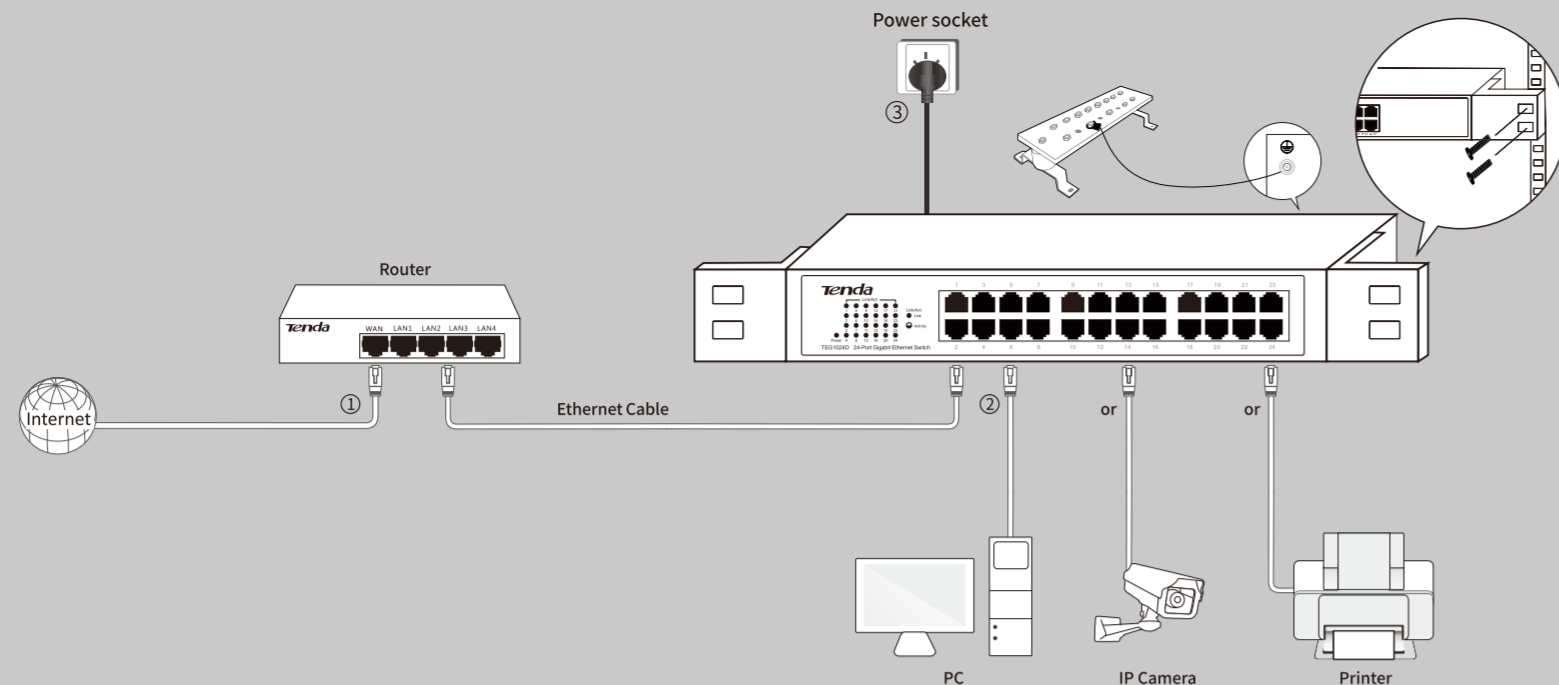


## Installation Guide

16-Port Gigabit Ethernet Switch/  
24-Port Gigabit Ethernet Switch

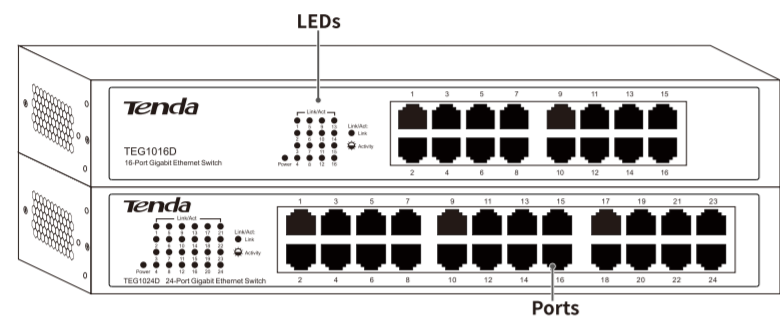
TEG1016D/TEG1016G/TEG1024D/TEG1024G

This guide is applicable to TEG1016D/TEG1016G/TEG1024D/TEG1024G. Take TEG1016D and TEG1024D as examples.



## English

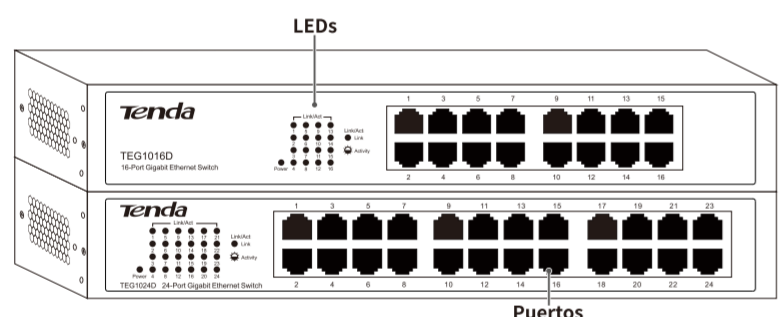
Product Overview



LED	Status	Description
POWER	ON	Power supply is provided to the device properly.
	OFF	Power supply is not provided to the device properly.
Port 1-16/24	Solid	Indicates the corresponding port is connected.
	OFF	Indicates no connection is established.
	Blinking	Indicates the corresponding port is connected and transferring data.

## Español

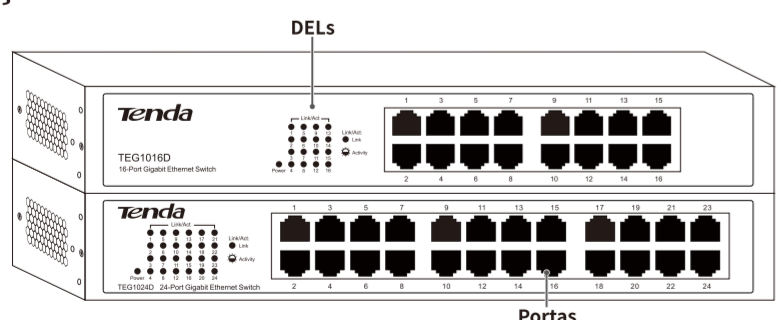
Descripción del producto



LED	Estado	Descripción
Energía	Encendido	La fuente de alimentación se proporciona para el dispositivo adecuado.
	Apagado	La fuente de alimentación no se proporciona para el dispositivo adecuado.
Puerto 1-16/24	Sólido	Indica que el puerto correspondiente está conectado.
	Apagado	Indica que se ha establecido ninguna conexión.
	Parpadeo	Indica que el puerto correspondiente está conectado y transfiriendo los datos.

## Français

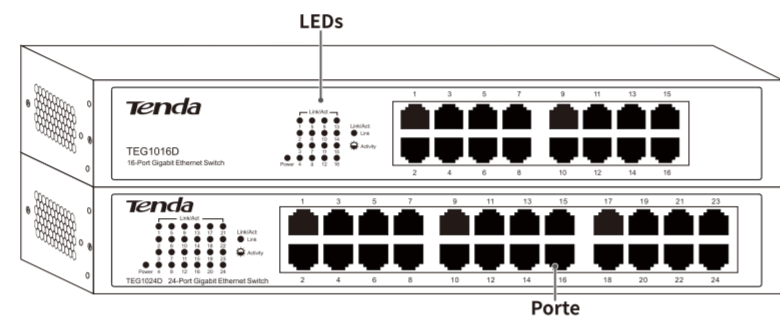
Présentation du produit



LED	Etat	Description
Puissance	Allumée	L'alimentation est bien fournie pour le dispositif.
	Eteint	L'alimentation n'est pas encore fournie pour le dispositif.
Porta 1-16/24	Solide	Indique que le port correspondant est bien connecté.
	Eteint	Indique que aucune connexion n'est établie.
	Clignotant	Indique que le port correspondant est connecté et en train de transmettre les données.

## Português

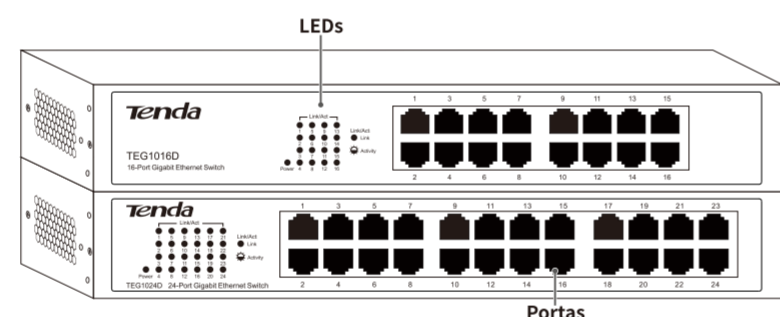
Visão Geral do Produto



LED	Estado	Descrição
Energia	Ligar	Fonte de alimentação é fornecida para o dispositivo corretamente.
	Desligar	Fonte de alimentação não está prevista o dispositivo corretamente.
Porte 1-16/24	Sólido	Indica que o porte correspondente está ligado.
	Desligar	Indica que não há conexão é estabelecida.
	Piscando	Indica que o porte correspondente é ligado e a transferência de dados.

## Italiano

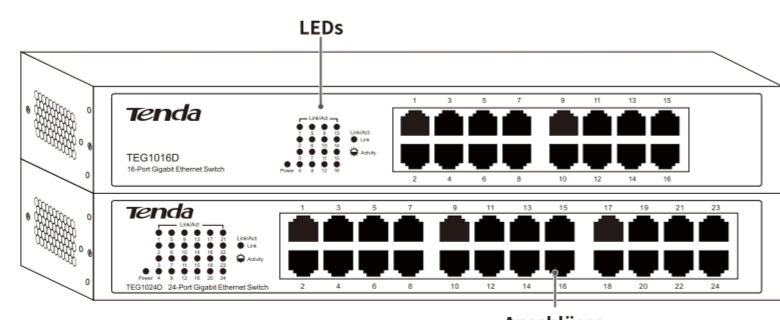
Panoramica del prodotto



LED	Stato	Descrizione
Alimentazione	Acceso	L'alimentazione per il dispositivo è fornita correttamente.
	Spento	L'alimentazione per il dispositivo non è fornita correttamente.
Porta 1-16/24	Solido	Indica che la porta corrispondente è collegata.
	Spento	Indica che nessuna connessione è stabilita.
	Lampeggiante	Indica che la porta corrispondente è collegata e sta trasferendo dati.

## Deutsch

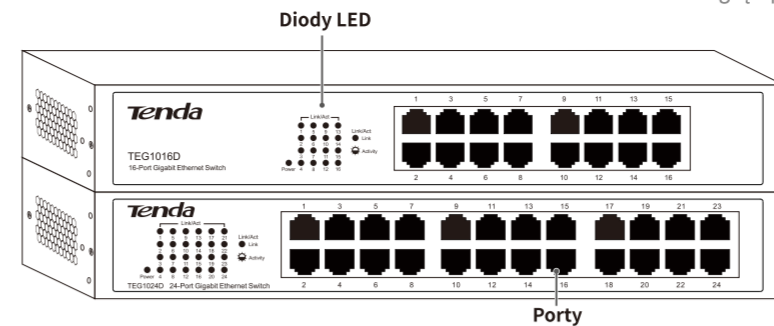
Produktübersicht



LED	Stand	Beschreibung
POWER	Ein	Stromversorgung funktioniert einwandfrei.
	Aus	Stromversorgung funktioniert nicht einwandfrei.
Anschluss 1-16/24	Stabil	Idie entsprechende Port ist angeschlossen.
	Aus	Keine Verbindung.
	Blinkt	Die entsprechende Port ist angeschlossen und überträgt Daten.

## Polski

Przeгляд produktów



LED	Status	Opis
Moc	Włączac	Zasilanie jest normalne.
	Wyłączac	Zasilanie nie jest normalne.
Porty 1-16/24	Staly	Wskazuje, że port połączenia.
	Wyłączac	Wskazuje na brak portu połączenia.
	Migotanie	Wskazuje, że port połączenia i transferu danych.

## Русский

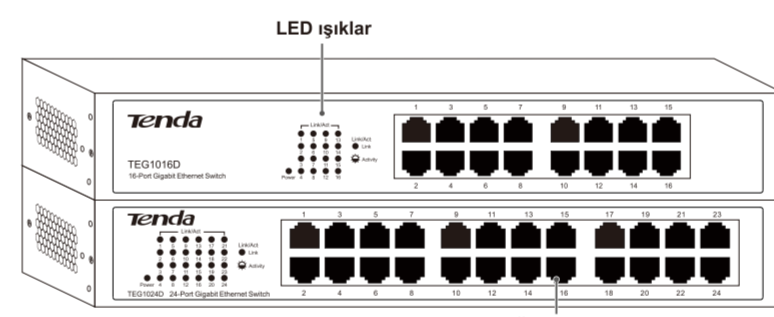
Краткая информация о продукте



ВЕТОДИ	Состояние	Описание
Источник питания	Вкл	Электрическое питание подается на устройство должным образом.
	Выкл	Электрическое питание не подается на устройство должным образом.
Порт 1-16/24	Непрерывный	Указывает на подключение соответствующего порта.
	Выкл	Указывает на отсутствие подключения.
	Мигающий	Указывает на подключение соответствующего порта и передачу информации.

## Türkçe

Ürüne Genel Bakış



LED	Durum	Tanım
Güç	Açık	Güç kaynağı normaldir.
	Kapalı	Güç kaynağı normal değil.
Bağlantı Noktası 1-16/24	Sürekli Yanıyor	Yuvaya kablo bağlı olduğunu gösterir.
	Kapalı	Bağlantı olmadığını gösterir.
	Yanıp Sönüyor	Yuvaya kablunun bağlı ve data transferi olduğunu gösterir.

## Safety and Emission Statement



**CE Mark Warning**  
This is a Class A product. In a domestic environment, this product may cause radio interference, in which case the user may be required to take adequate measures.  
**NOTE:** (1) The manufacturer is not responsible for any radio or TV interference caused by unauthorized modifications to this equipment. (2) To avoid unnecessary radiation interference, it is recommended to use a shielded RJ45 cable.



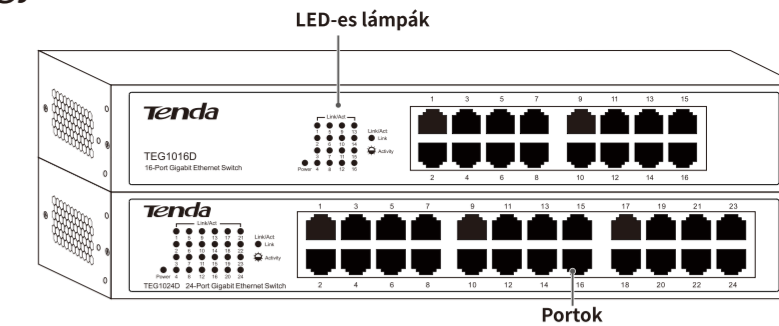
**RECYCLING**  
This product bears the selective sorting symbol for Waste electrical and electronic equipment (WEEE). This means that this product must be handled pursuant to European directive 2012/19/EU in order to be recycled or dismantled to minimize its impact on the environment.  
User has the choice to give his product to a competent recycling organization or to the retailer when he buys a new electrical or electronic equipment.



Operating Temperature: -10°C - 45°C  
Operating Humidity: (10%-90%) RH non-condensing

## Magyar

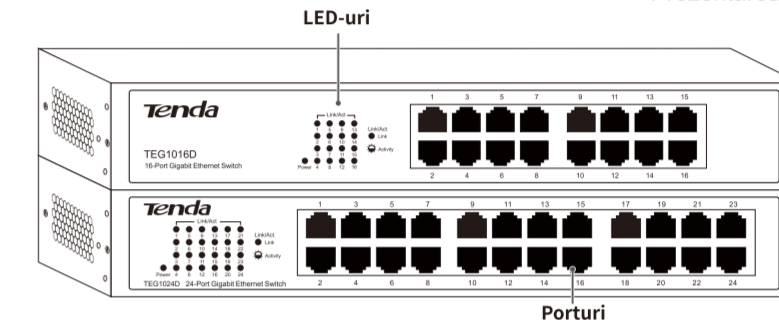
Termék áttekintés



LED	Státusz	Leírás
Teljesítmény	Bekapcsol	Tápellátás normális.
	Leállítja	Tápellátás nem normális.
Portok 1-16/24	Szilárd	Jelzi, hogy az adott port csatlakozott.
	Leállítja	Jelzi, hogy a kapcsolat nem jött létre.
	Vibrálás	Jelzi, hogy az adott port csatlakoztatva van és adatátvitel folyik.

## Română

Prezentarea produsului



LED	Stare	Descriere
Putere	Pornire	Dispozitivul este alimentat corespunzător.
	Oprire	Dispozitivul nu este alimentat corespunzător.
Porturi 1-16/24	Solid	Portul corespunzător este conectat.
	Oprire	Nicio conexiune nu a fost stabilită.
	lumina intermitentă	Portul corespunzător este conectat și transferul de date este activ.

Specifications	TEG1016D/TEG1016G	TEG1024D/TEG1024G
Standard	IEEE802.3/4/5/ab	
Interface	16*10/100/1000Mbps auto-negotiation RJ 45 ports (Auto MDI/MDIX)	24*10/100/1000Mbps auto-negotiation RJ 45 ports (Auto MDI/MDIX)
Transmission Media	10BASE-T: UTP category 3, 4, 5 cable 100BASE-TX/1000BASE-TX: UTP category 5, 5e or Better	
Forwarding Rate	10Mbps: 14880pps 100Mbps: 148800pps 1000Mbps: 1488000pps	
LEDs	16*10/100/1000Mbps Link/Act, 1*power	24*10/100/1000Mbps Link/Act, 1*power
Transmission Method	Store-and-Forward MAC auto Learning & Auto Aging	
Advance Feature	Supports 10K jumbo frame Power adapter with 6Kv lightning proof, Ports with 6Kv lightning proof	
Switching Capacity	32Gbps	48Gbps
MAC Address Table	8K	
Power Information	AC 100V-240V 0.4A 50/60Hz	AC 100V-240V 0.7A 50/60Hz
Dimensions	TEG1016D : 294*180*44mm	TEG1024D : 294*180*44mm
	TEG1016G : 440*180*44mm	TEG1024G : 440*180*44mm
Operating Environment	Temperature	0°C-45°C
	Humidity	10%-90% non-condensing
Storage Environment	Temperature	-40°C-70°C
	Humidity	5%-90% non-condensing

## FCC

**FCC Statement**  
This equipment has been tested and found to comply with the limits for a Class A digital device, pursuant to Part 15 of the FCC Rules. These limits are designed to provide reasonable protection against harmful interference when the equipment is operated in a commercial environment. This equipment generates, uses, and can radiate radio frequency energy and, if not installed and used in accordance with the instruction manual, may cause harmful interference to radio communications. Operation of this equipment in a residential area is likely to cause harmful interference in which case the user will be required to correct the interference at his own expense.  
This device complies with Part 15 of the FCC Rules. Operation is subject to the following two conditions: (1) this device may not cause harmful interference, and (2) this device must accept any interference received, including interference that may cause undesired operation.

**Caution!**  
Any changes or modifications not expressly approved by the party responsible for compliance could void the user's authority to operate the equipment.  
**NOTE:** (1) The manufacturer is not responsible for any radio or TV interference caused by unauthorized modifications to this equipment. (2) To avoid unnecessary radiation interference, it is recommended to use a shielded RJ45 cable.

**Technical Support**  
United States: Hotline: 1-800-570-5892  
Canada: Hotline: 1-888-998-8966  
HongKong: Hotline: 00852-81931998  
Skype: Tendasz  
Website: <http://www.tendacn.com>  
E-mail: [support@tenda.com.cn](mailto:support@tenda.com.cn)

**Address Info:**  
6-8 Floor, Tower E3, NO.1001, Zhongshanyuan Road, Nanshan District, Shenzhen, China. 518052

©2017 Shenzhen Tenda Technology Co., Ltd. All rights reserved.  
Tenda is a registered trademark legally held by Shenzhen Tenda Technology Co., Ltd. Other brand and product names mentioned herein are trademarks or registered trademarks of their respective holders. Specifications are subject to change without notice.